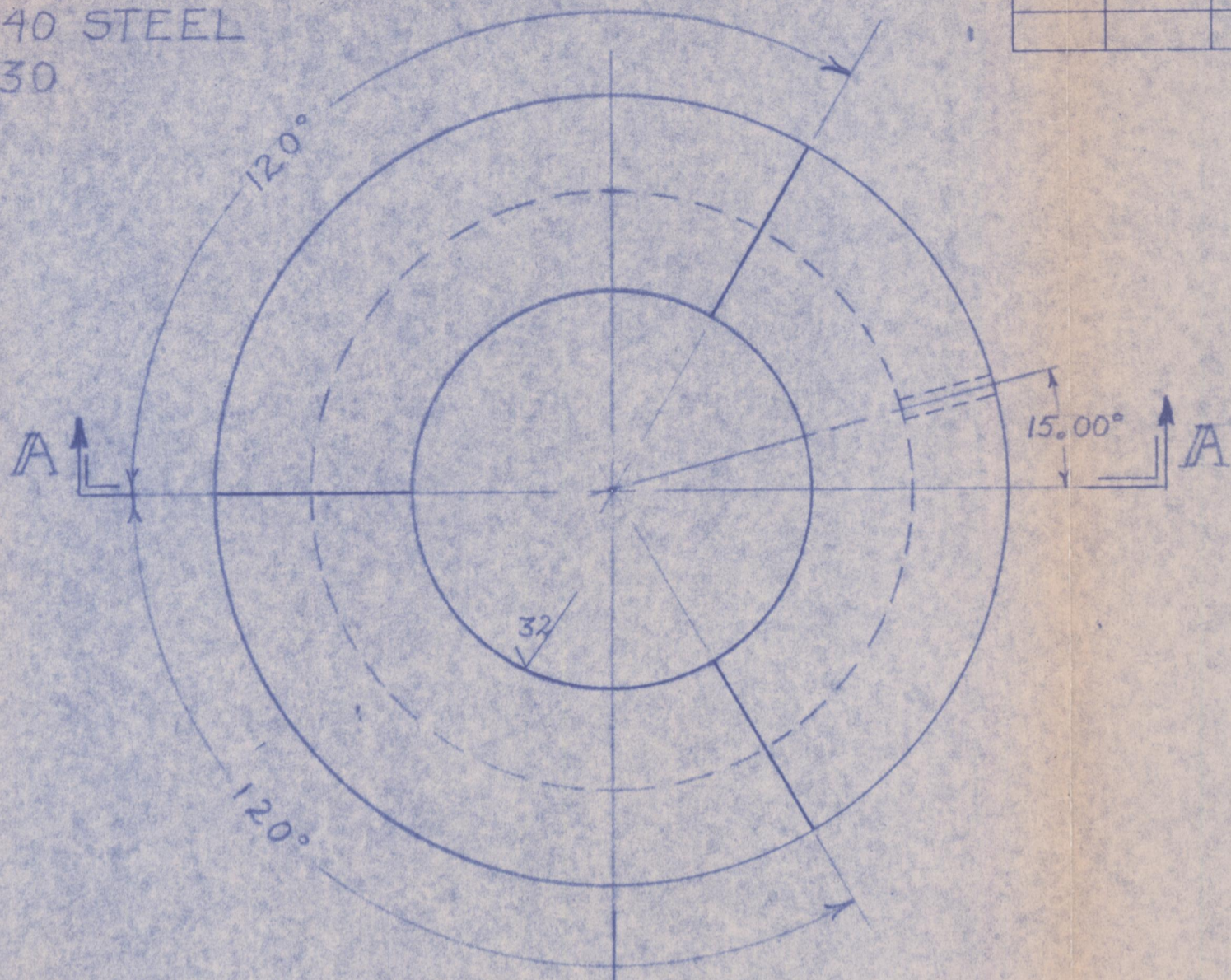


BINDING RING

2B

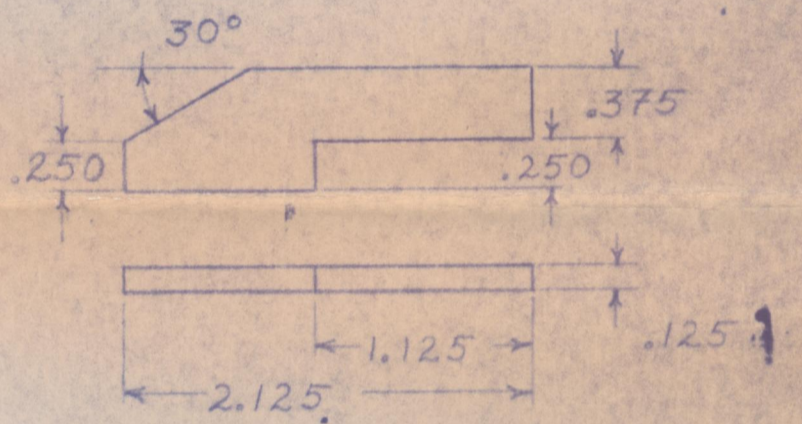
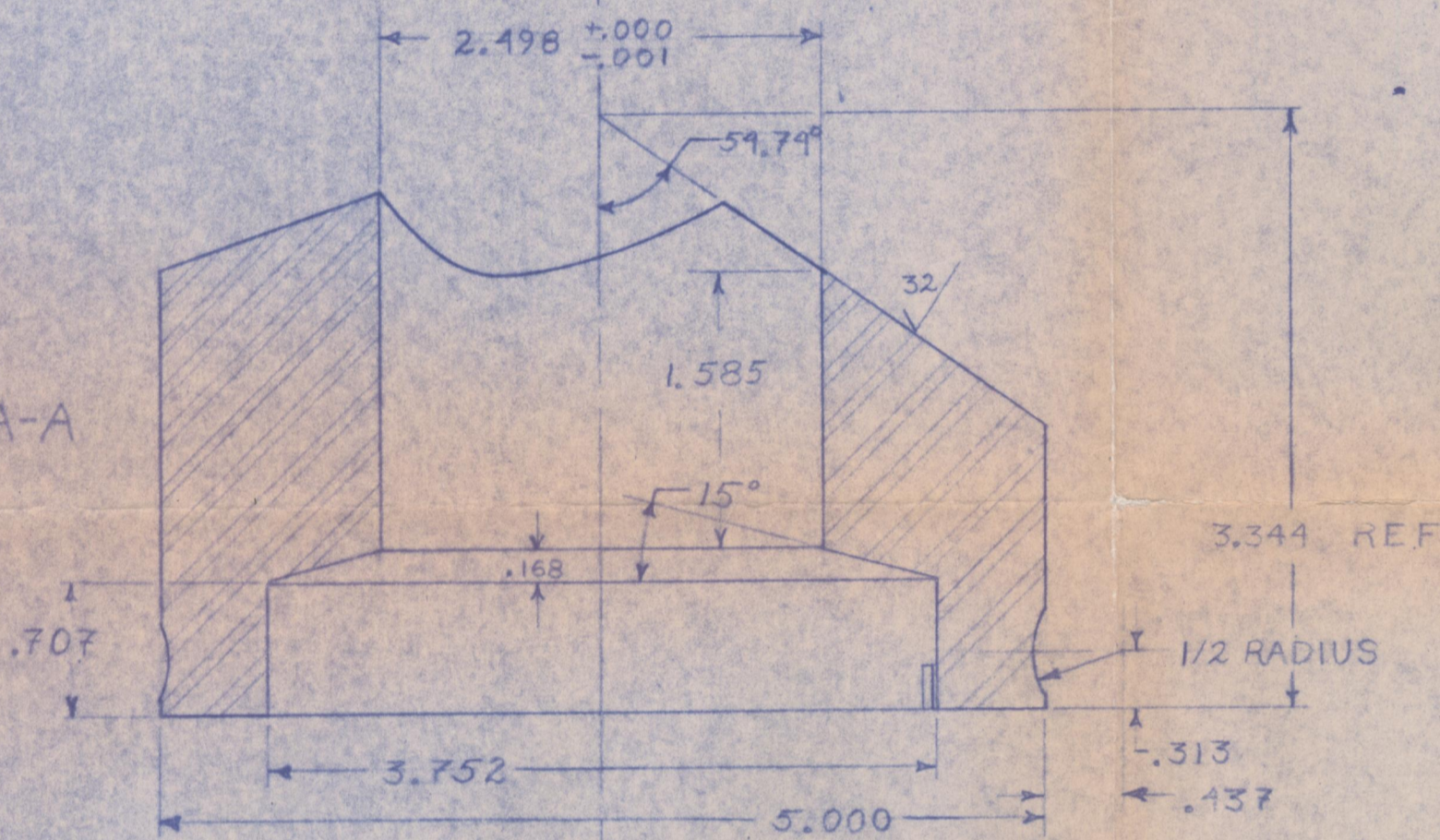
MATERIAL - 4340 STEEL
MIN RC30

REVISIONS				CHECKED BY	DATE
REVISION LETTER	PART NO.	BY			

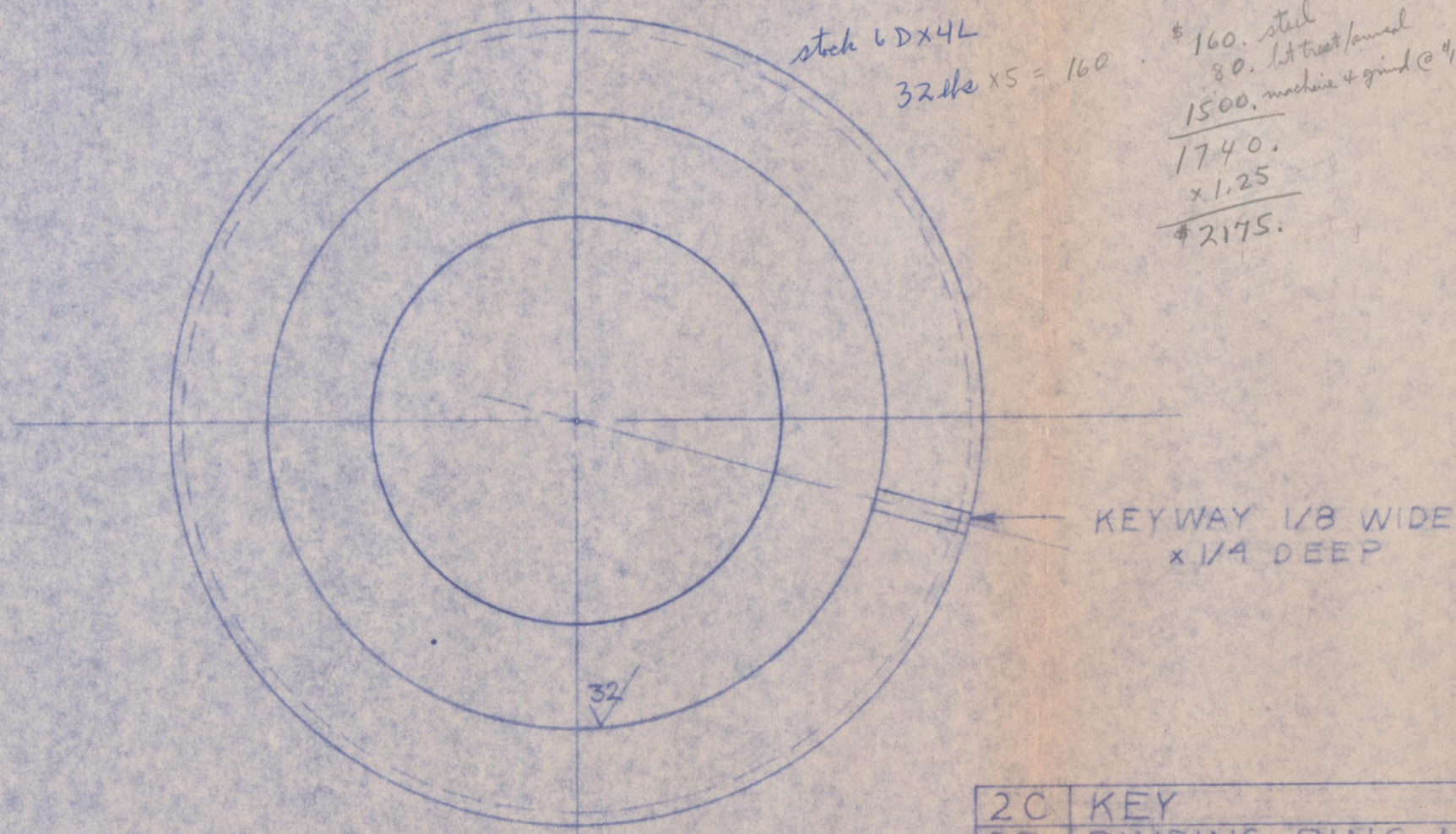


KEY 2C
MATERIAL - FBE BAKELITE

SECTION A-A



KEY WIDTH TO PROVIDE CLOSE SLIDING FIT WITH KEYWAYS IN PARTS 1, 2A, 2B, AND 3.



stock 25.
mach 100. @ 12/hr
125.
x 1.25
157.

40002797

DETAIL NO.	DESCRIPTION	MATERIAL SPECIFICATIONS	NO. REQ'D
2C	KEY	FBE BAKELITE	8
2B	BINDING RING (2 1/2 INCH ANVIL)	4340 Steel	5
2A	INSULATED BACK-UP MOUNT	4340 Steel	4

LIST OF MATERIAL					NAVAL RESEARCH LABORATORY		
SIGNATURES	DATE	BLDG.	ROOM	PHONE	WASHINGTON, D. C. 20390		
DESIGNED: WAW	50+	60	119	73014	Solid State DIVISION		
DRAWN: WAW	150+					SECURITY CLASSIFICATION	
APPROVED:					UNC		
TOLERANCES UNLESS OTHERWISE SPECIFIED					DRAWING NO. 2		
DECIMAL DIMENSIONS = ± .005					SCALE FULL		
FRACTIONAL DIMENSIONS = ± 1/4					ASSEMBLY DRAWING NO.		
ANGLE DIMENSIONS = ± 2°					DRAWING NO. 2		
					SHEET OF		